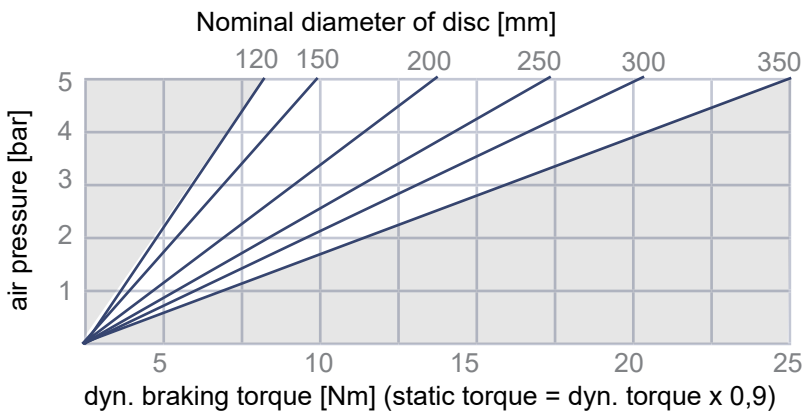
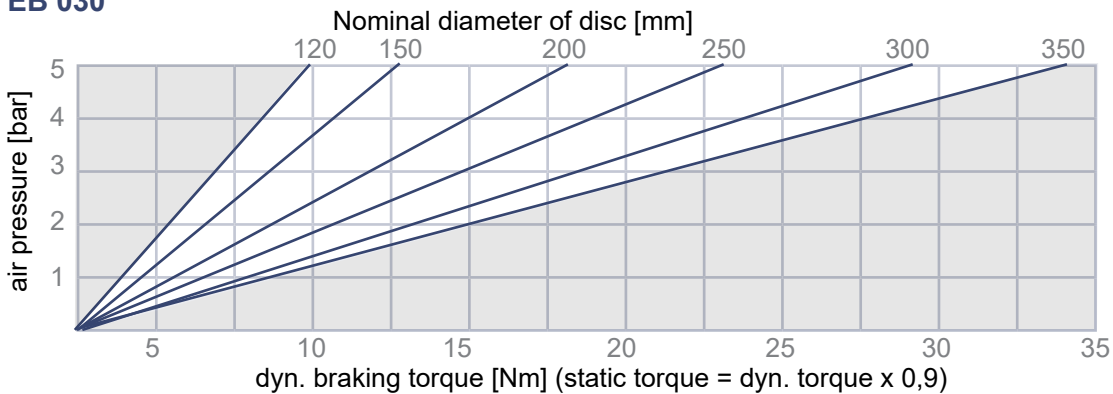


**EB 025**

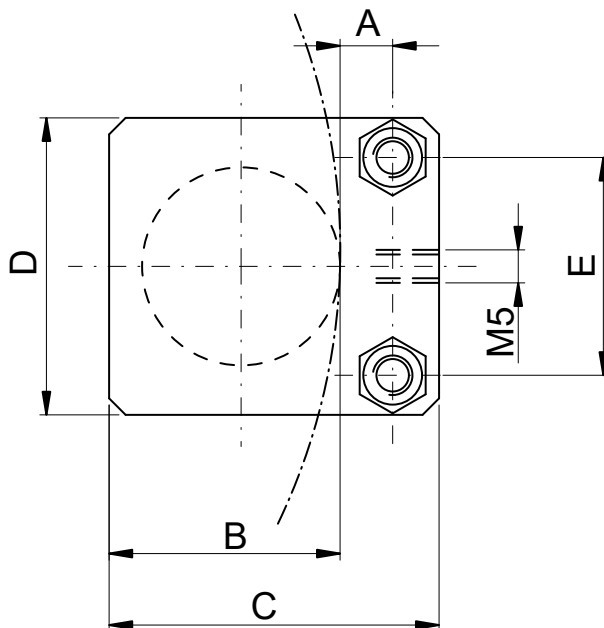
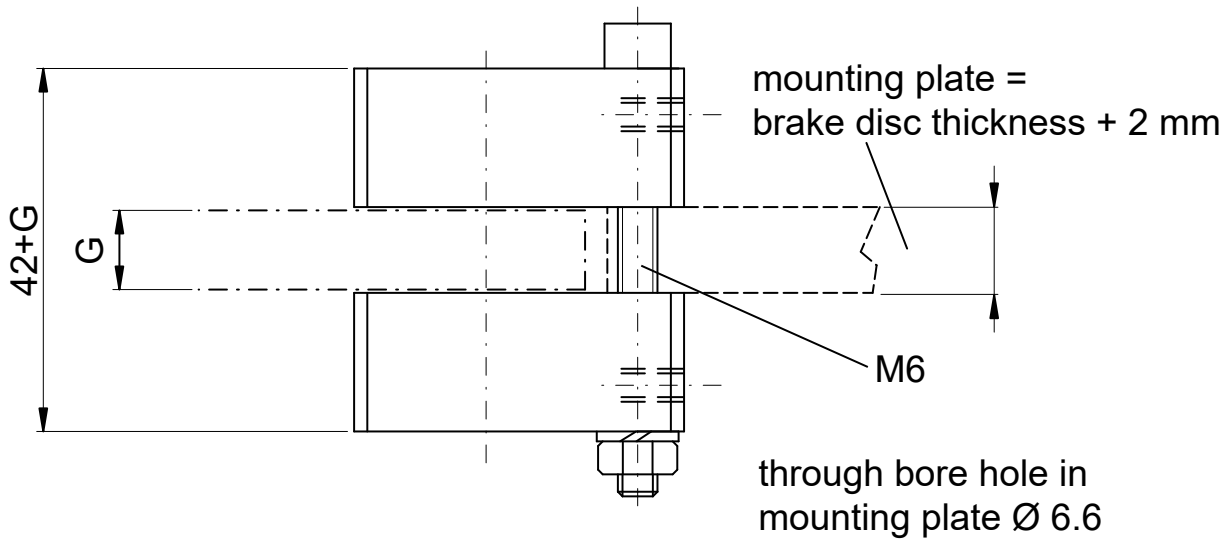


2D-drawing and dimensions see pg. 2

**EB 030**



Subject to change without notice.

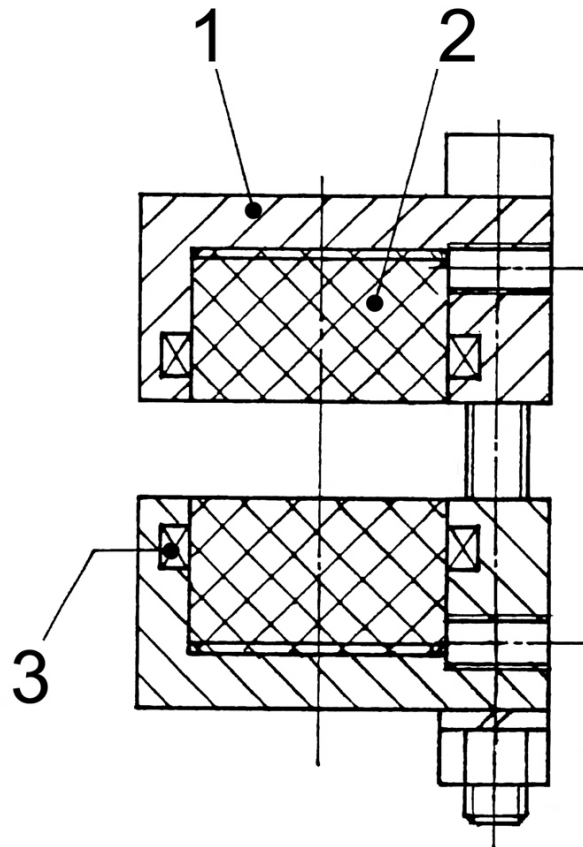


Type	Part-No.	A [mm]	B [mm]	C [mm]	D [mm]	E [mm]	Mass [kg]
EB 025	<b>10927</b>	6	29	40	40	30	0,14
EB 030	<b>11471</b>	8	35	50	45	33	0,15

Subject to change without notice.

**Elephant Brakes by Rietschoten Germany. Strong like an elephant. Smart like an elephant.**

Deutsche van Rietschoten & Houwens GmbH · Junkersstraße 12 · 30179 Hannover · [www.elephantbrakes.com](http://www.elephantbrakes.com)



**Part-No. 10927 – EB 025**

Item	Component	Quantity	Part-No.
1	Cylinder EB 025	2	11271
2	Brake Pad EB 025	2	11272
3	Seal NBR, EB 025	2	11713

**Part-No. 11471 – EB 030**

Item	Component	Quantity	Part-No.
1	Cylinder EB 030	2	11472
2	Brake Pad EB 030	2	11473
3	Seal NBR, EB 030	2	11714

Subject to change without notice.