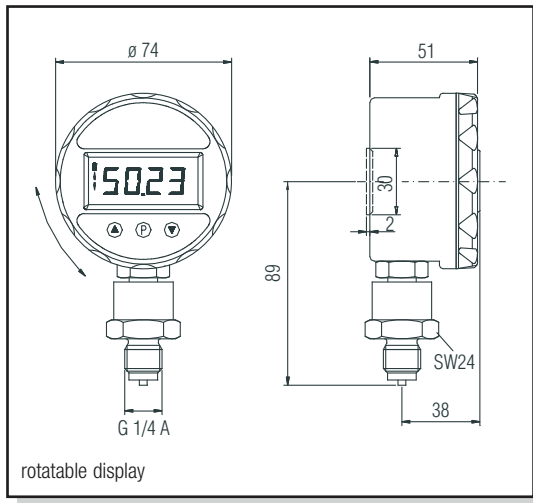


# Digital pressure gauges



### Technical data

- Pressure measuring ranges 60 bar, 250 bar or 600 bar
- Error limit 0,5 %
- 4-digit display, 12,7 mm
- High overload
- Pressure peak Min.- and Max.-values
- IP 65
- 9-Volt battery, 5000 h



Digital Pressure gauge are the best solution to carry out a local network independent pressure measurement. Accuracy, reliability and mechanical capacity make the digital pressure gauge perfect for carrying out different pressure measurements. The front panel, which can be turned through 350° allows easy reading of values in any mounting position.

Axial turning is made by loosening the nut at the housing. Simple operation is carried out with a 3 button panel whereby pressure and pressure peaks can also be measured as Min. and Max. values.

Measuring range	Part-number
0-60 bar	<b>9801-97-00.60</b>
0-250 bar	<b>9801-97-02.50</b>
0-600 bar	<b>9801-97-06.00</b>

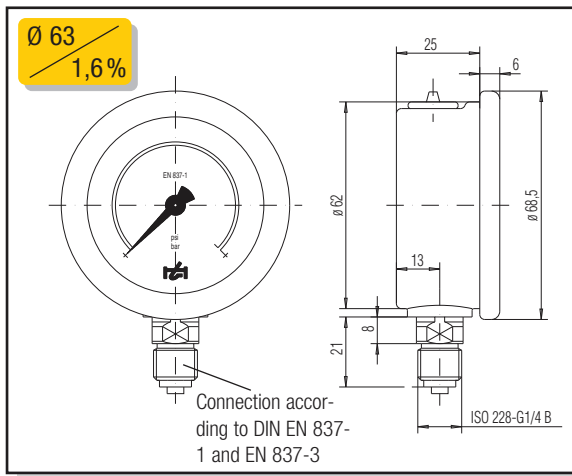
## MINIMESS®-1620 pressure test kit with two digital pressure gauges



Test kit with 1 digital pressure gauge		Part-number
Measuring range	Identification	<b>3101 - 81 - 0 X.50</b>
0-60 bar	4	
0-250 bar	6	
0-600 bar	9	4, 6 or 9

Test kit with 2 digital pressure gauges		Part-number
Measuring range	Identification	<b>3101 - 82 - X X.50</b>
0-60 bar	4	
0-250 bar	6	
0-600 bar	9	Lower measuring range Higher measuring range

# Analogue pressure gauges



Display range	Part-number
0–10 bar (0–145 psi)	<b>9802-01-00.10</b>
0–16 bar (0–230 psi)	<b>9802-01-00.16</b>
0–25 bar (0–360 psi)	<b>9802-01-00.25</b>
0–40 bar (0–580 psi)	<b>9802-01-00.40</b>
0–60 bar (0–870 psi)	<b>9802-01-00.60</b>
0–100 bar (0–1450 psi)	<b>9802-01-01.00</b>
0–160 bar (0–2300 psi)	<b>9802-01-01.60</b>
0–250 bar (0–3600 psi)	<b>9802-01-02.50</b>
0–400 bar (0–5800 psi)	<b>9802-01-04.00</b>
0–600 bar (0–8700 psi)	<b>9802-01-06.00</b>

- Housing  $\varnothing 63$  mm/Stainless steel
- Accuracy 1,6% of end value
- Display range in bar and psi
- Glycerine filled

## MINIMESS®-1620 pressure test kit with two analogue pressure gauges

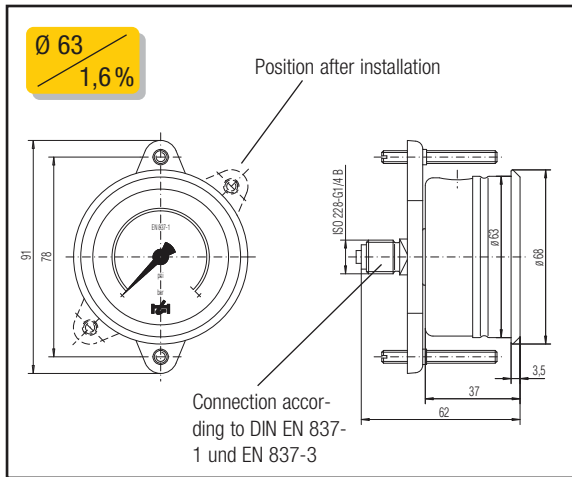


Test kit with 2 digital pressure gauges		Part-number
Measuring range	Identification	<b>3101 - 14 - X X.50</b>
0–10 bar (0–145 psi)	0	
0–16 bar (0–230 psi)	1	
0–25 bar (0–360 psi)	2	
0–40 bar (0–580 psi)	3	
0–60 bar (0–870 psi)	4	
0–100 bar (0–1450 psi)	5	
0–160 bar (0–2300 psi)	6	
0–250 bar (0–3600 psi)	7	
0–400 bar (0–5800 psi)	8	
0–600 bar (0–8700 psi)	9	
<b>Test kit with 1 digital pressure gauge</b>		<b>3101 - 13 - 0 X.50</b>

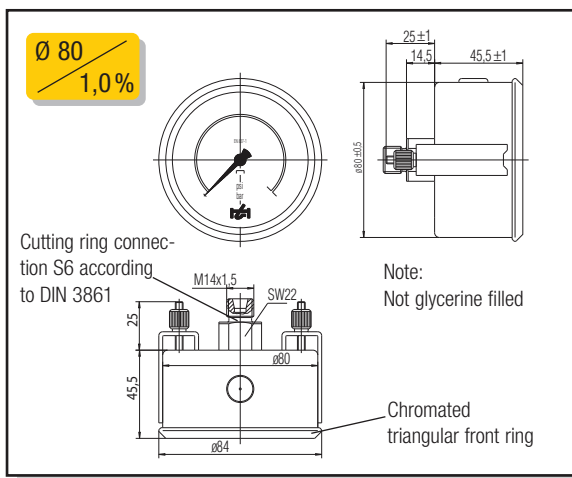
<b>MINIMESS®-pressure test kit for series 1215</b>	When ordering, please exchange end digits to 30	<b>30</b>
<b>MINIMESS®-pressure test kit for series 1615</b>	When ordering, please exchange end digits to 40	<b>40</b>

# Analogue Pressure gauges

Rear Entry



Display range	Part-number
0–10 bar (0–145 psi)	<b>9801-53-00.10</b>
0–16 bar (0–230 psi)	<b>9801-53-00.16</b>
0–25 bar (0–360 psi)	<b>9801-53-00.25</b>
0–40 bar (0–580 psi)	<b>9801-53-00.40</b>
0–60 bar (0–870 psi)	<b>9801-53-00.60</b>
0–100 bar (0–1450 psi)	<b>9801-53-01.00</b>
0–160 bar (0–2300 psi)	<b>9801-53-01.60</b>
0–250 bar (0–3600 psi)	<b>9801-53-02.50</b>
0–400 bar (0–5800 psi)	<b>9801-53-04.00</b>
0–600 bar (0–8700 psi)	<b>9801-53-06.00</b>

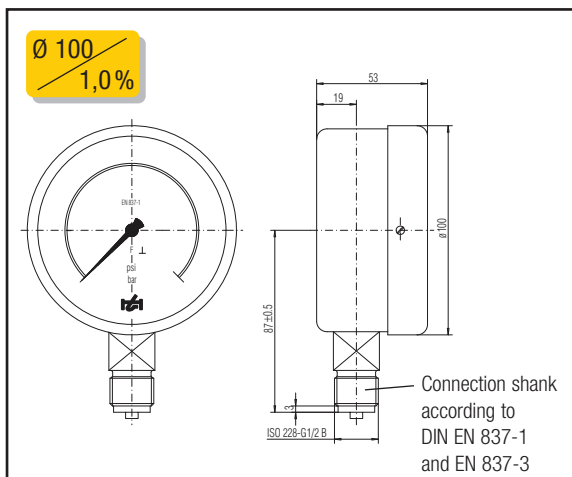


Display range	Part-number
0–10 bar (0–145 psi)	<b>9801-35-00.10</b>
0–16 bar (0–230 psi)	<b>9801-35-00.16</b>
0–25 bar (0–360 psi)	<b>9801-35-00.25</b>
0–40 bar (0–580 psi)	<b>9801-35-00.40</b>
0–60 bar (0–870 psi)	<b>9801-35-00.60</b>
0–100 bar (0–1450 psi)	<b>9801-35-01.00</b>
0–160 bar (0–2300 psi)	on request
0–250 bar (0–3600 psi)	<b>9801-35-02.50</b>
0–400 bar (0–5800 psi)	<b>9801-35-04.00</b>
0–600 bar (0–8700 psi)	<b>9801-35-06.00</b>

- Housing  $\varnothing$  63 mm or  $\varnothing$  80 mm / Stainless steel
- Accuracy: 1,6% or 1,0% of end value
- Display range in bar and psi
- Glycerine Filled

# Analogue Pressure Gauge

Bottom Entry



Display range	Part-number
0–10 bar (0–145 psi)	on request
0–16 bar (0–230 psi)	on request
0–25 bar (0–360 psi)	<b>9801-20-00.25</b>
0–40 bar (0–580 psi)	on request
0–60 bar (0–870 psi)	<b>9801-20-00.60</b>
0–100 bar (0–1450 psi)	<b>9801-20-01.00</b>
0–160 bar (0–2300 psi)	<b>9801-20-01.60</b>
0–250 bar (0–3600 psi)	on request
0–400 bar (0–5800 psi)	<b>9801-20-04.00</b>
0–600 bar (0–8700 psi)	<b>9801-20-06.00</b>