



SCPD56/26 is a double pump with two separate flows of different sizes. The pump is of medium size and is ideal for exacting mobile hydraulics.

SCPD 56/26 gives 56.0 and 26.0 cm³/revs and supports a maximum pressure of 40 MPa. Pump SCPD 56/26 DIN

SCPD 56/26 can effectively be direct mounted on gearboxes equipped with engageable and disengageable power take offs.

SCPD 56/26 is speed optimized and therefore supplied in either left (L) or right (R) handed versions.

SCPD 56/26's high level of reliability is based on the choice of materials, hardening methods, surface structures and the quality assured manufacturing process.

Other advantages of SCPD 56/26

- High self-priming speed
- Constant low noise level
- Long life due to high demands on material selection, such as bearings, seals, etc
- O-rings on all contact surfaces as well as double shaft seals eliminate oil leakage from the pump and power take off

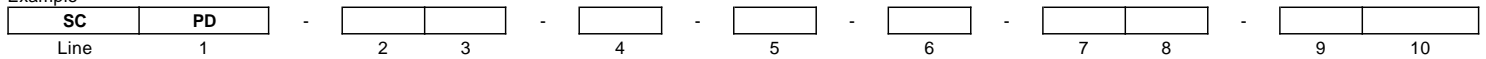
Pump SCPD 56/26 DIN

Theoretical oil flow A+B at pump speed	rpm	l/min		
	600	33.5 + 15.5 = 49		
	1000	56.0 + 26.0 = 82		
	1200	67.0 + 31.0 = 98		
	1500	84.0 + 39.0 = 123		
	1800	100.5 + 46.5 = 147		
Displacement A+B	cm ³ /rev	56.0 + 26.0		
Max pump speed	rpm	1850		
Max operating pressure	bar	continuous		
		350		
intermittent	bar	intermittent		
		400		
Weight	kg	18		
Tare-weight torque without valve	Nm	21		
Nominal power at pressure and pump speed	rpm	200 Bar	300 Bar	400 Bar
	600	11.2 + 5.2 = 16.4 kW	16.8 + 7.8 = 24.6 kW	22.4 + 10.4 = 32.8 kW
	1200	22.4 + 10.4 = 32.8 kW	33.6 + 15.6 = 49.2 kW	44.8 + 20.8 = 65.6 kW
	1800	33.6 + 15.6 = 49.2 kW	50.4 + 23.4 = 73.8 kW	67.2 + 31.2 = 98.4 kW
Nominal torque on pump shaft at different pressures		200 Bar	300 Bar	400 Bar
		178 + 83 = 261 Nm	267 + 124 = 391 Nm	356 + 165 = 521 Nm
	Direction of rotation	Left (L) and Right (R)		

Intermittent operation refers to a max of 6 seconds per minute.
For more information contact Sunfab.

VERSIONS, MAIN DATA

Example



Line	SC	PD								
	Sunfab Compact, bent-axis design									

1. Type	P	Pump
---------	---	------

2. Displacement	012	017	025	034	040	047	056	064	084	090	130
-----------------	-----	-----	-----	-----	-----	-----	-----	-----	-----	-----	-----

3. Direction of rotation	L	Left
	R	Right

4. Sealing	N	Nitrile
	H	High pressure, nitrile
	V	Viton

5. Mounting flange	ISO 3019-2	012	017	025	034	040	047	056	064	084	090	108	130
	I41												
	I42												
	I43												
	I44												
	I45												

6. Shaft	012	017	025	034	040	047	056	064	084	090	108	130
Spline	W20											
	W25											
	W30											
	W32											
	W35											
	W40											
	W45											
Key DIN 6885	K20											
	K25											
	K30											
	K35											
	K40											
	K45											

X = Standard, preferred
 (X) = Available, option
 O = Available on request, contact Sunfab

7. Connection cover	012	017	025	034	040	047	056	064	084	090	108	130
---------------------	-----	-----	-----	-----	-----	-----	-----	-----	-----	-----	-----	-----

Z1	Suction rear, pressure at side	
----	--------------------------------	--

8. Connections	012	017	025	034	040	047	056	064	084	090	108	130
----------------	-----	-----	-----	-----	-----	-----	-----	-----	-----	-----	-----	-----

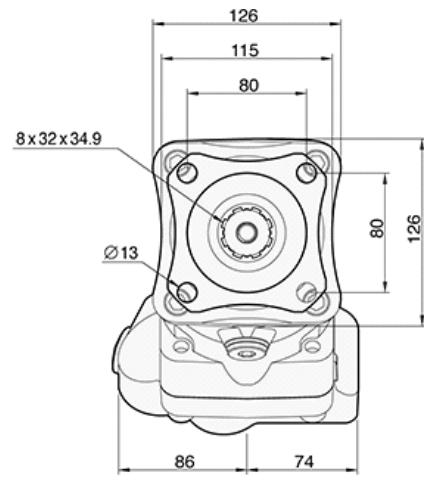
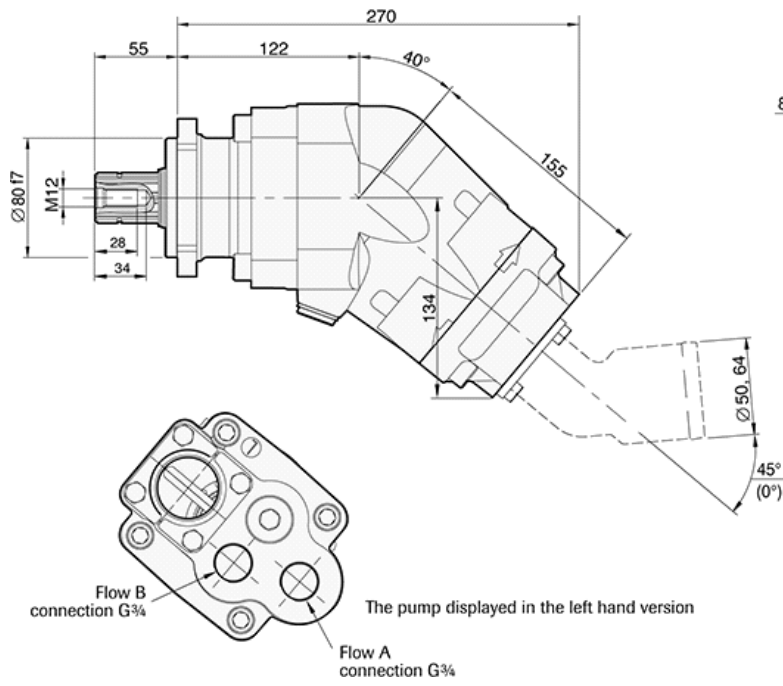
G	ISO G*	
M	Metric **	

* Only threaded connections
 ** Only flanged connections

9. Additional	3	External drainage + optimized
---------------	---	-------------------------------

10. Accessories	00	No accessories available
-----------------	----	--------------------------

Pump SCPD 56/26 DIN



Spline shaft:
DIN 5462/ISO14
Mounting flange:
ISO 7653-D



WARNING

When the pump is running:

1. Do not touch the pressure hose
2. Watch out for rotating parts
3. The pump and hoses may be hot

Sunfab reserves the right to make changes in design and dimensions without notice. Printing and typesetting errors reserved.