

Sunfab SLPD Savtec is a series of in-line dual flow pumps equipped with a SAVTEC shut-off valve. Using the Savtec valve makes it possible to control the pump so it only feeds oil when required.

SLPD Savtec valve is available for electrical 24 V or pneumatic remote control. The signal is obtained from a panel switch or automatically from, e.g. the parking brake, pressure sensor or diode gate.

SLPD Savtec generates, with a closed Savtec valve, neither flow nor pressure and in doing so does not load the power take-off. This has a positive effect on fuel economy. SLPD Savtec features extra lubrication ducts on the bearings for lubrication even when the pump is run with the Savtec-valve closed.

SLPD Savtec comes in eight different sizes, where three models feature differentiated flows. Pumps with differentiated flow increase the field of application as they can provide three different flows: one small, one large and one combined flow.

Max working pressure, depending on the model: 330-350 bar.

SLPD Savtec's slim pump housing makes direct mounting on the power take-off possible in very confined areas.

SLPD Savtec is also ideal for installation using a frame bracket via an intermediate shaft.

Other advantages of Sunfab SLPD Savtec

- A cost effective total solution in relation to a conventional installation using two pumps in a splitter gear box
- Extremely quiet
- Large displacement gives the possibility of low motor speeds and low noise levels
- Smooth operation over the entire speed range
- Long life due to high demands on material selection, such as bearings, seals, etc
- O-rings on all contact surfaces as well as double shaft seals eliminate oil leakage from the pump and power take off
- The Savtec valve can also be used as an emergency stop

Pump SLPD 20/20-64/32 DIN SAVTEC

		20/20	28/28	40/20	35/35	56/28	46/46	53/53	64/32
Theoretical oil flow at pump speed									
rpm	500	10.1 + 10.1	13.7 + 13.7	20.3 + 10.1	16.9 + 16.9	27.4 + 13.7	22.9 + 22.9	26.2 + 26.2	31.5 + 15.7
	1000	20.3 + 20.3	27.5 + 27.5	40.7 + 20.3	33.9 + 33.9	54.9 + 27.5	45.8 + 45.8	52.5 + 52.5	63 + 31.5
	1500	30.4 + 30.4	41.3 + 41.3	61.0 + 30.4	50.8 + 50.8	82.3 + 41.2	68.7 + 68.7	78.7 + 78.7	94.5 + 47.2
Displacement	cm ³ /rev	20.3 + 20.3	27.5 + 27.5	40.7 + 20.3	33.9 + 33.9	54.9 + 27.5	45.8 + 45.8	52.5 + 52.5	63.0 + 31.5
Max pump speed	rpm	2200	1800	2200	2200	1800	1800	1600	1600
Max speed, idling	rpm	3000	2500	3000	3000	2500	2500	2500	2500
Max operating pressure	bar								
continuous		300	300	300	300	300	300	300	300
intermittent		350	350	350	350	350	350	350	350
Weight	kg	24.5/23.5	24.5/23.5	24.5/23.5	24.5/23.5	24.5/23.5	24.5/23.5	24.5/23.5	24.5/23.5
Dimensions	mm	A	133	133	133	166	166	166	166
Min. dimensions	B	50	50	50	50	64	64	64	64
Tare-weight torque	(M) Nm	32.5/29.5	32.5/29.5	32.5/29.5	32.5/29.5	32.5/29.5	32.5/29.5	32.5/29.5	32.5/29.5
Direction of rotation									Independent

Intermittent operation is equated to a max of 6 seconds per minute.

*Electrical/pneumatic SAVTEC

VERSIONS, MAIN DATA

Example

SL	PD	-	46/46	W	-	V	-	DL4	-	L35	-	S4	S	-	4
Line	1		2	3		4		5		6		7	8		9

Line

SL	Sunfab In-Line
----	----------------

1. Type

PD	Pump Dual
----	-----------

2. Displacement

20/20	28/28	40/20	35/35	56/28	46/46	53/53	64/32
-------	-------	-------	-------	-------	-------	-------	-------

3. Direction of rotation

W	Independent
---	-------------

4. Sealing

V	HNBR
---	------

5. Mounting flange

DL4	DIN 4-h (ISO 7653D)
-----	---------------------

6. Shaft

L35	DIN 5462 / ISO 14
-----	-------------------

7. Connection cover

S4	Sunfab standard SLPD
----	----------------------

8. Connections

S	Sunfab standard
---	-----------------

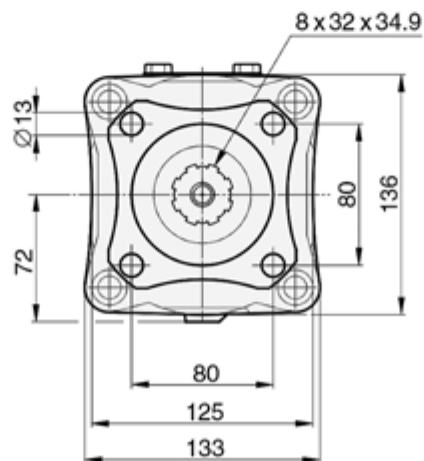
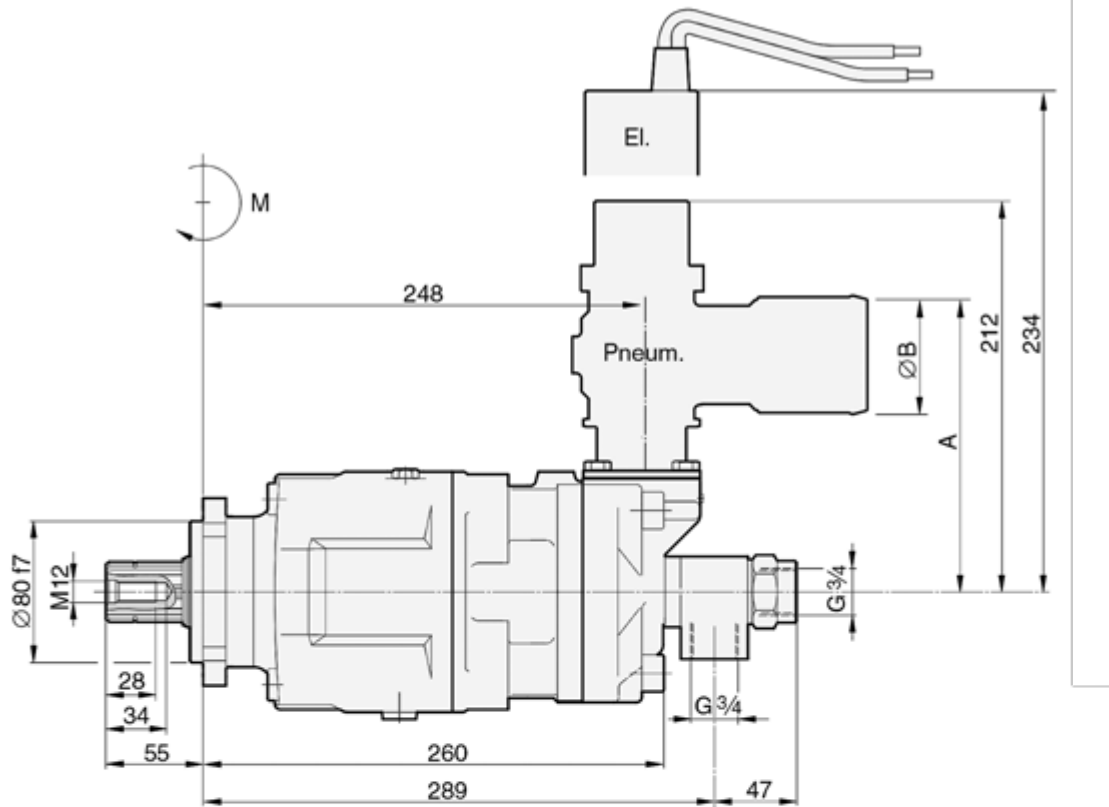
9. Additional

4	Savtec
---	--------

X = Standard, preferred

(X) = Available, option

O = Available on request, contact Sunfab





WARNING

When the pump is running:

1. Do not touch the pressure hose
2. Watch out for rotating parts
3. The pump and hoses may be hot

Sunfab reserves the right to make changes in design and dimensions without notice. Printing and typesetting errors reserved.