



Sunfab SLPD is a series of in-line dual flow pumps with extremely low noise levels for demanding mobile hydraulics.

Sunfab SLPD comes in eight different sizes, where three models feature differentiated flows.

Pumps with differentiated flow increase the field of application as they can provide three different flows: small, large and one combined.

Maximum working is 350 bar.

Sunfab SLPD's slim pump housing makes direct mounting on the power take off possible in very confined areas. SLPD is also ideal for installation using a frame bracket via an intermediate shaft.

Sunfab SLPD is available in a version with a Savtec valve for applications where the hydraulics need to be used while the vehicle is on the move.

Sunfab SLPD's high level of reliability is based on the choice of materials, hardening methods, surface structures and the quality assured manufacturing process.

Other advantages of Sunfab SLPD

- A cost effective total solution in relation to a conventional installation using two pumps with a splitter gear box
- Large displacement gives the possibility of low motor speeds and low noise levels
- Smooth operation over the entire speed range
- Long life due to high demands on material selection, such as bearings, seals, etc
- O-rings on all contact surfaces as well as double shaft seals eliminate oil leakage from the pump and power take off

Pump SLPD 20/20-64/32 DIN		20/20	28/28	40/20	35/35	56/28	46/46	53/53	64/32
Theoretical oil flow at pump speed									
	500	10.1 + 10.1	13.7 + 13.7	20.3 + 10.1	16.9 + 16.9	27.4 + 13.7	22.9 + 22.9	26.2 + 26.2	31.5 + 15.7
	1000	20.3 + 20.3	27.5 + 27.5	40.7 + 20.3	33.9 + 33.9	54.9 + 27.5	45.8 + 45.8	52.5 + 52.5	63 + 31.5
	1500	30.4 + 30.4	41.3 + 41.3	61.0 + 30.4	50.8 + 50.8	82.3 + 41.2	68.7 + 68.7	78.7 + 78.7	94.5 + 47.2
Displacement	cm ³ /rev.	20.3 + 20.3	27.5 + 27.5	40.7 + 20.3	33.9 + 33.9	54.9 + 27.5	45.8 + 45.8	52.5 + 52.5	63.0 + 31.5
Max pump speed	rpm	2200	1800	2200	2200	1800	1800	1600	1600
Max operating pressure	bar								
continuous		300	300	300	300	300	300	300	300
intermittent		350	350	350	350	350	350	350	350
Weight	kg	22.0	22.0	22.0	22.0	22.0	22.0	22.0	22.0
Dimensions	mm	A	133	133	133	133	166	166	166
Min. dimensions	B	50	50	50	50	64	64	64	64
Tare-weight torque (M)	Nm	26.5	26.5	26.5	26.5	26.5	26.5	26.5	26.5
Direction of rotation		Independent							

Intermittent operation is equated to a max of 6 seconds per minute.

For more information contact Sunfab.

VERSIONS, MAIN DATA

Example

SL	PD	-	46/46	W	-	N	-	DL4	-	L35	-	S4	S
Line	1		2	3		4		5		6		7	8

Line	
SL	Sunfab In-Line

1. Type	
PD	Dual flow pump

2. Displacement	
20/20	28/28 40/20 35/35 56/28 46/46 53/53 64/32

3. Direction of rotation	
W	Independent

4. Sealing	
N	Nitril

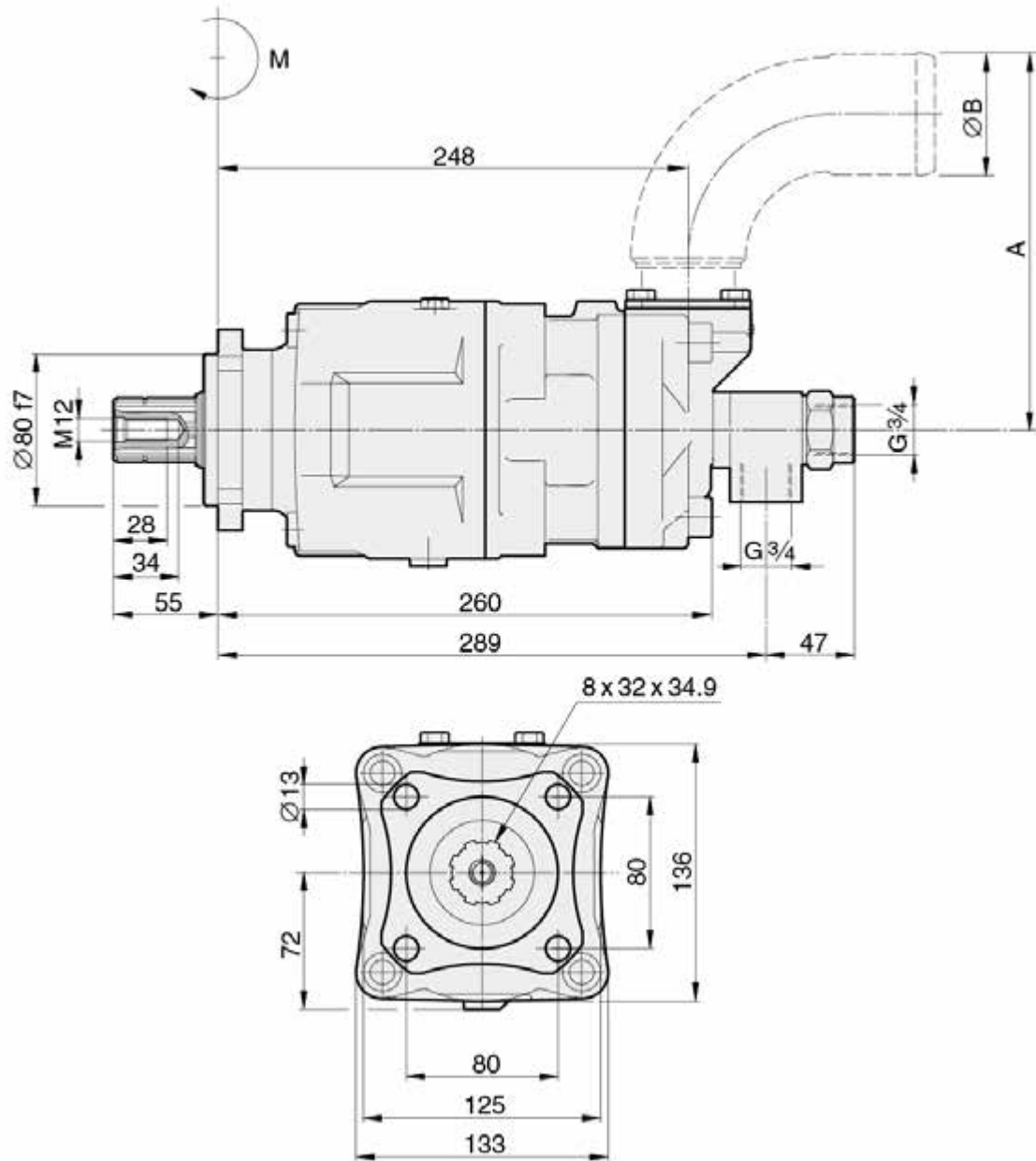
5. Mounting flange	
DL4	DIN 4-h (ISO 7653D)

6. Shaft	
L35	DIN 5462 / ISO 14

7. Connection cover	
S4	Sunfab standard SLPD

8. Connections	
S	Sunfab standard

X = Standard, preferred
 (X) = Available, option
 O = Available on request, contact Sunfab





WARNING

When the pump is running:

1. Do not touch the pressure hose
2. Watch out for rotating parts
3. The pump and hoses may be hot

Sunfab reserves the right to make changes in design and dimensions without notice. Printing and typesetting errors reserved.