

R&H 200.405.01

2D-drawing and dimensions see pg. 2

spring force	Nominal disc diameter [mm]										
	200	250	300	350	400	460	515	610	710	810	915
	Braking Torque: $T_{Br\ dyn.}$ [Nm] ($T_{Br\ stat.} = 0,9 \times T_{Br\ dyn.}$)										
100%	235	315	390	470	550	645	730	880	1040	1195	1350
66%	155	210	260	310	365	425	480	580	685	790	890
33%	80	105	130	155	180	210	240	290	345	395	445

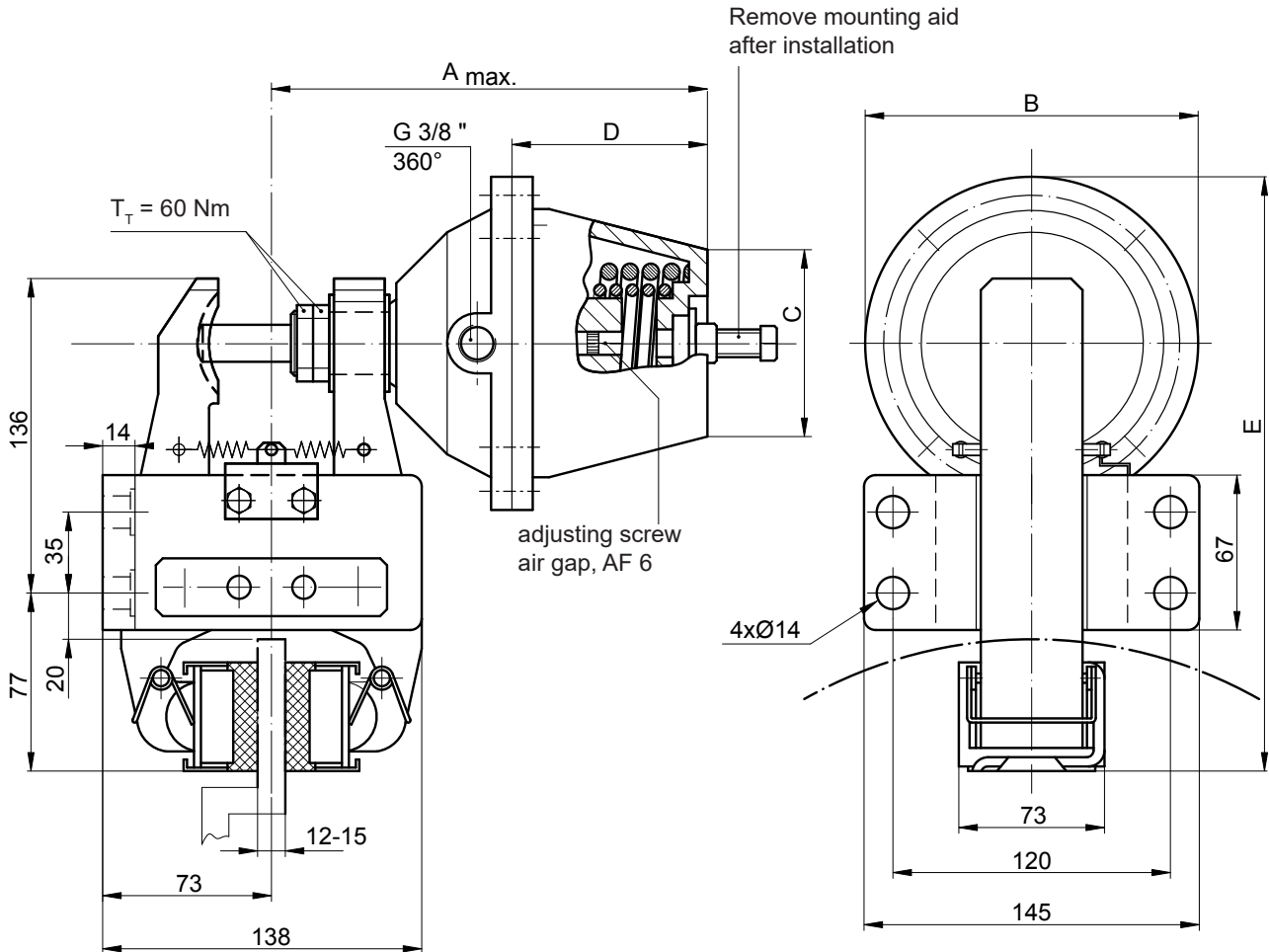
R&H 200.406.01

spring force	Nominal disc diameter [mm]										
	200	250	300	350	400	460	515	610	710	810	915
	Braking Torque: $T_{Br\ dyn.}$ [Nm] ($T_{Br\ stat.} = 0,9 \times T_{Br\ dyn.}$)										
100%	415	555	685	825	970	1135	1285	1550	1830	2100	2390
66%	275	365	450	545	640	750	850	1025	1210	1385	1575
33%	135	185	225	270	320	375	425	510	605	695	790

p_{min} : 5 bar (100%) / 3,3 bar (66%) / 1,7 bar (33%)

p_{max} : 10 bar

Subject to change without notice.



Mounting position is horizontal. Please get in touch if different.

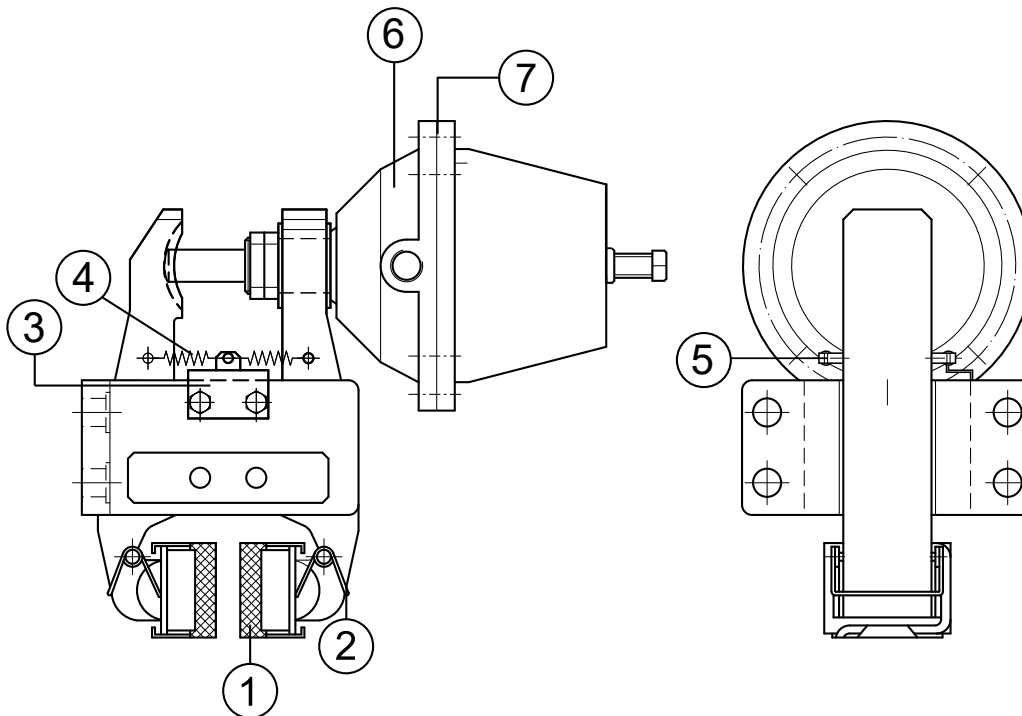
A right hand mounted actuator is standard – „flange side“ mounted please state with order.

Type	Part-No.	A max. [mm]	Ø B [mm]	Ø C [mm]	D [mm]	E [mm]	V / stroke [dm ³]	Mass [kg]
R&H 200.405.01	11849	200	144	81	82,5	260	0,12	10,4
R&H 200.405.01 66%	13212							
R&H 200.405.01 33%	13213							
R&H 200.406.01	11850	230	180	110	97,5	278	0,43	11,9
R&H 200.406.01 66%	13224							
R&H 200.406.01 33%	13225							

Subject to change without notice.

Elephant Brakes by Rietschoten Germany. Strong like an elephant. Smart like an elephant.

Deutsche van Rietschoten & Houwens GmbH · Junkersstraße 12 · 30179 Hannover · www.elephantbrakes.com



			Type		
			R&H 200.405.01	R&H 200.405.01 66%	R&H 200.405.01 33%
			Part-No.		
Item	Component	Quantity	11849	13212	13213
1	Brake Pad	2	10775		
2	Retaining Spring	2	10268		
3	Anchor Plate	1	10942		
4	Tension Spring	1	10270		
5	Tension Spring	2	10883		
6	Thruster	1	11789	13172	13173
7	Diaphragm	1	10239		

			Type		
			R&H 200.406.01	R&H 200.406.01 66%	R&H 200.406.01 33%
			Part-No.		
Item	Component	Quantity	11850	13224	13225
1	Brake Pad	2	10775		
2	Retaining Spring	2	10268		
3	Anchor Plate	1	10942		
4	Tension Spring	1	10270		
5	Tension Spring	2	10883		
6	Thruster	1	11790	13178	13179
7	Diaphragm	1	10240		

Subject to change without notice.