

VM4*E1

VM4*E - 214 - 1 N 00 - B 5 02 *

Series external drain

Series internal drain

Torque

153 = 2.52 Nm/bar
185 = 3.05 Nm/bar
214 = 3.53 Nm/bar

Type of shaft

1 - keyed (SAE C)
3 - splined (SAE C)

Rotation

N - Bi-directional

*S = Severe duty motor

VM4E1-VM4SE1 : Drain port is plugged

View from shaft end:

CW rotation A = inlet B = outlet

CCW rotation A = outlet B = inlet

Modifications

Port connections

01 = SAE threaded port
SAE drain

02 = SAE 4 bolt flange
UNC threaded - SAE drain

04 = SAE 4 bolt flange
UNC threaded - BSPP drain

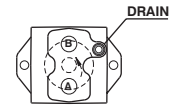
Seal class

5 - S5

Design letter

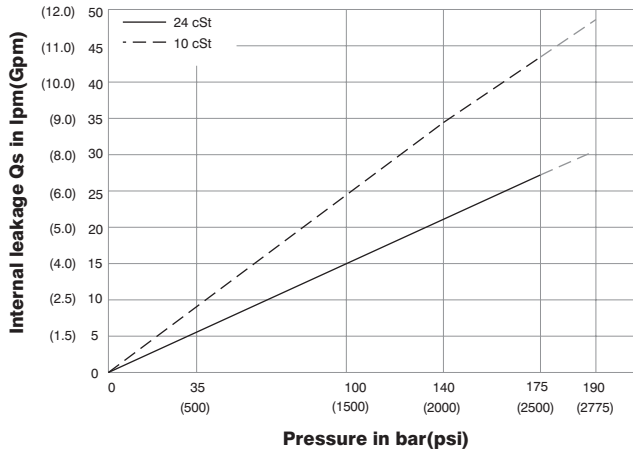
Porting combination

00 - standard

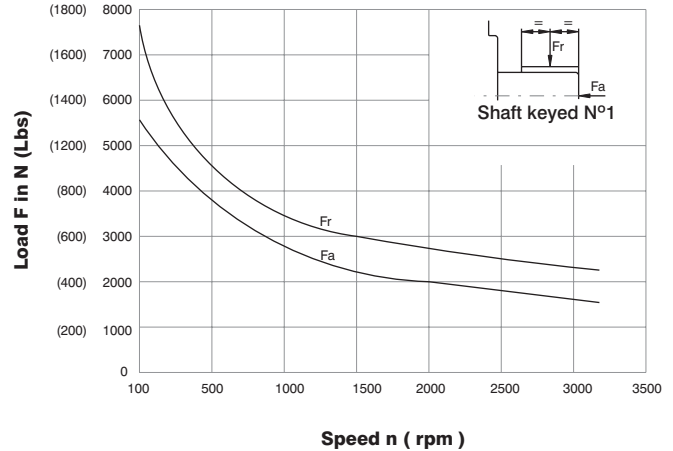


00

INTERNAL LEAKAGE



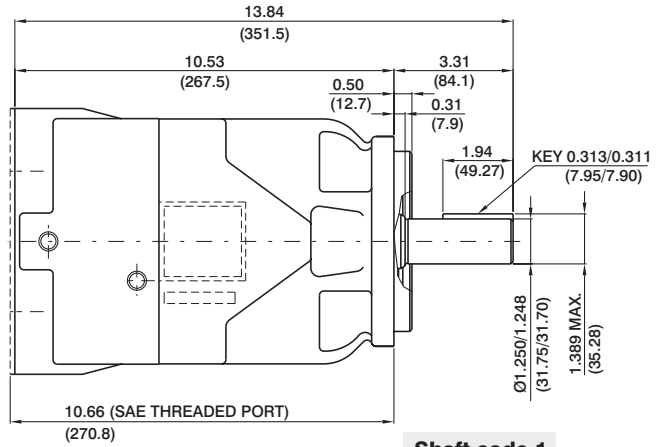
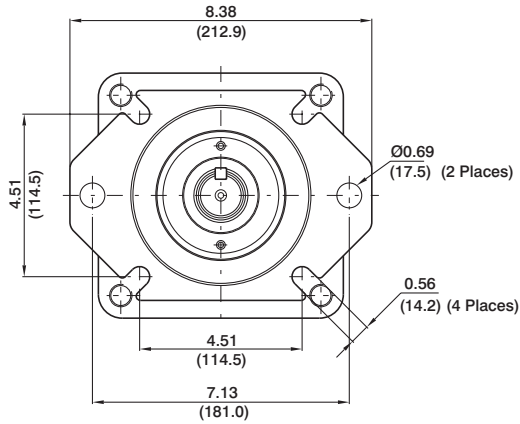
PERMISSIBLE RADIAL AND AXIAL LOADS



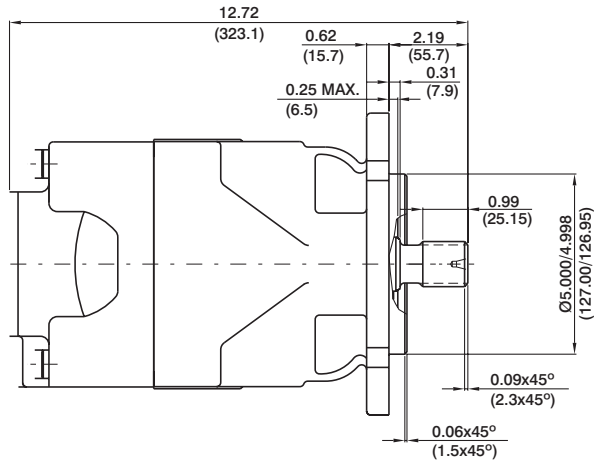
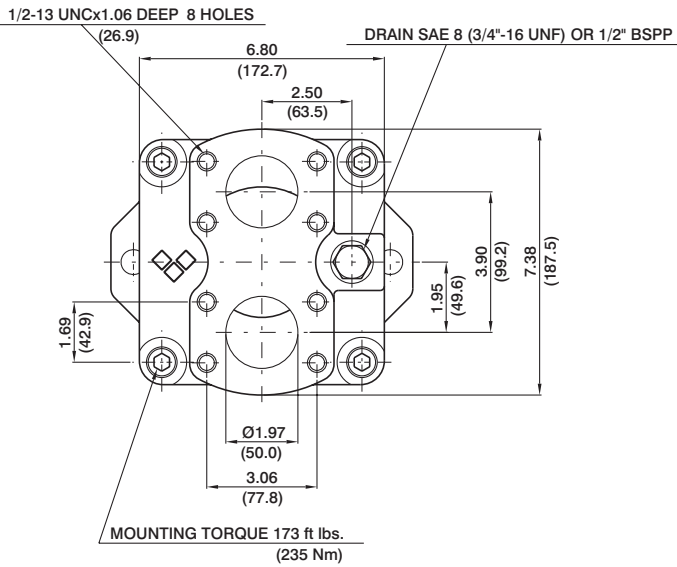
Do not apply Fr and Fa loads simultaneously

OPERATING CHARACTERISTICS - TYPICAL (24 cSt)

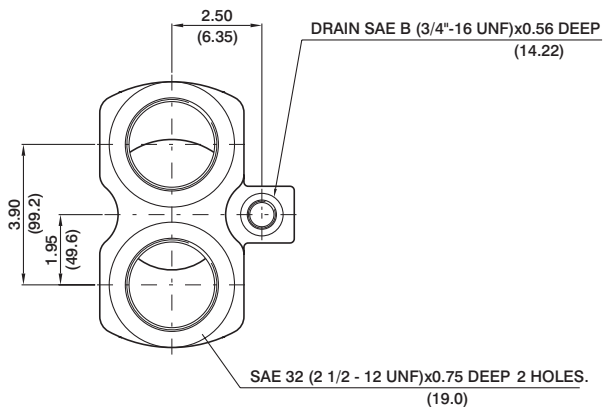
Model	Series	Volumetric Displacement Vi		Input flow at n = 2000 rpm				Torque T at n = 2000 rpm		Power output at n = 2000 rpm	
				Theoretical		at 175 bar (2500 psi) ΔP		at 175 bar (2500 psi) ΔP		at 175 bar (2500 psi) ΔP	
		in ³ /rev	cm ³ /rev	GPM	l/min	GPM	l/min	in.lbf	Nm	HP	KW
VM4E-VM4SE	153	9.67	158.5	83.7	316.4	90.6	343.0	3522.0	398.0	111.8	83.4
	185	11.69	191.6	101.2	382.5	108.0	409.0	4283.2	484.0	136.0	101.4
	214	13.55	222.0	117.3	443.4	124.2	470.0	5017.7	567.0	159.3	118.8



Shaft code 1
(Keyed SAE C)



Shaft code 3
SAE C splined shaft
Class 1-J498b
12/24 dp. 14 teeth
30° pressure angle
Flat root side fit



SAE THREADED PORT

