

PC

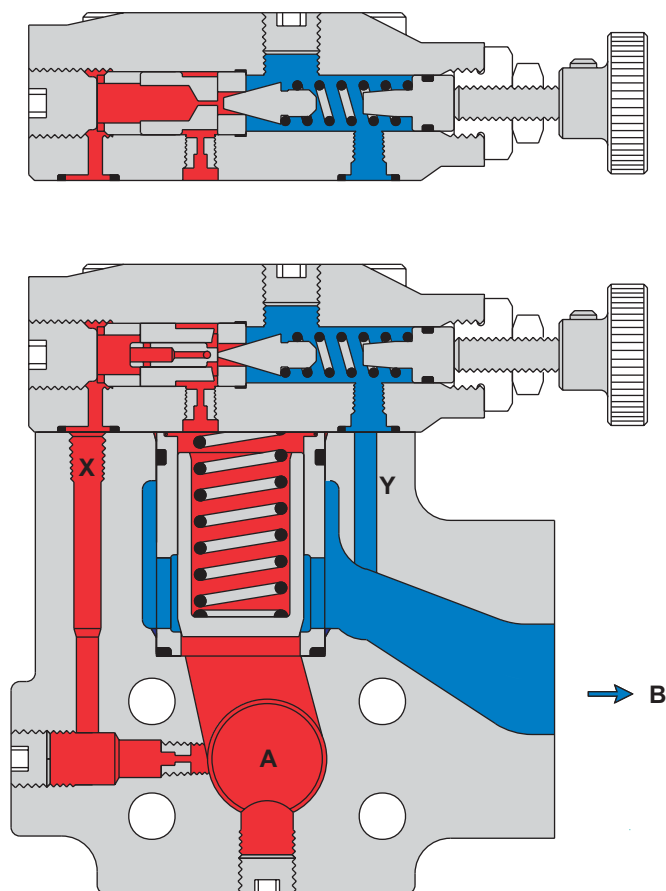
Veljan Flanged type, Valves Series VR5V (Relief), VR5U (Unloader) and VR5S (Sequence) are pilot controls. These range of valves are suitable for mounting directly on a SAE Pump outlet flange, ensuring maximum pump protection against peak pressure and eliminating costly piping. The pilot stage of VR5 valves are designed to reduce pressure overshoot and minimise cracking flow, thus reducing power and production losses during high pressure operation.

VR5 valves consist of a high flow poppet type seat valve section controlled by the low flow, adjustable pilot section mounted on top.

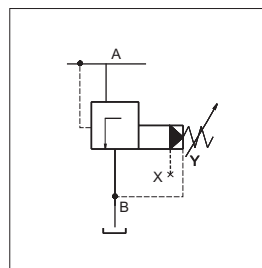
Pressure setting is achieved by means of a knurled knob. For tamper proof setting, acorn nut with lead seal is available as option. Optional Vent Valve VV01 sandwiched between pilot section and main body can be used for venting the VR5 valves.

Exceptionally fast response is obtained due to precise ratio between main piston area and its mass. High accuracy and quiet, flutter free control are the important characteristics of VR5 valves.

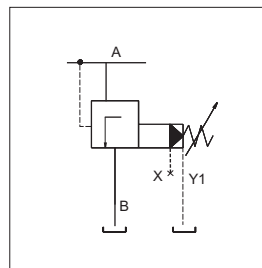
Pressure Relief valve VR5V



Internal Drain

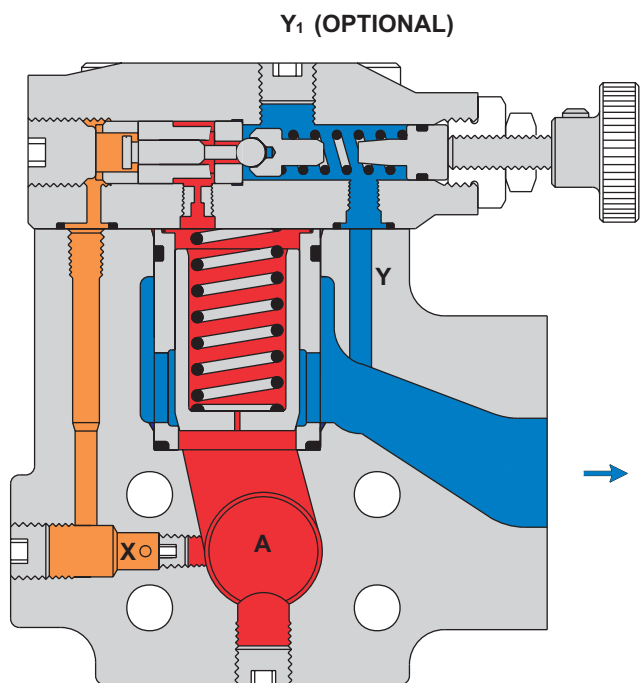


External Drain

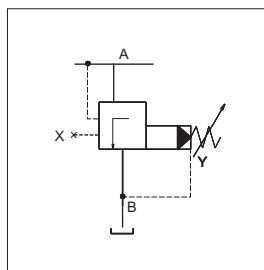


VR5V Pressure relief valves are used to limit the pressure of a hydraulic system. The VR5V may also be used to generate a pressure drop in a hydraulic circuit. Normally port A is connected to pump and port B to tank.

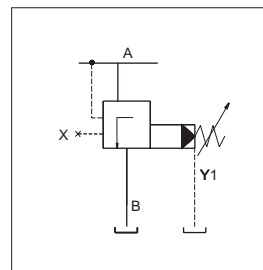
Pressure unloading valve VR5U



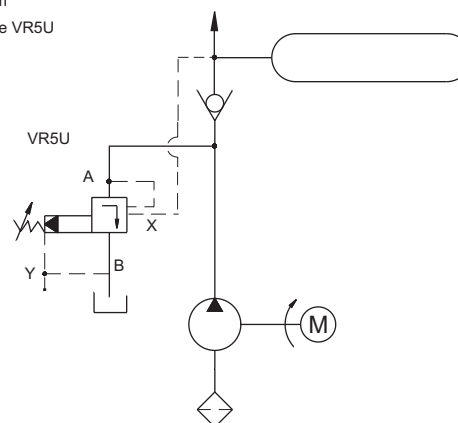
Internal Drain



External Drain

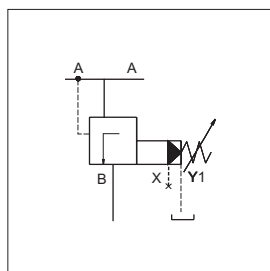


Accumulator system with unloading valve VR5U

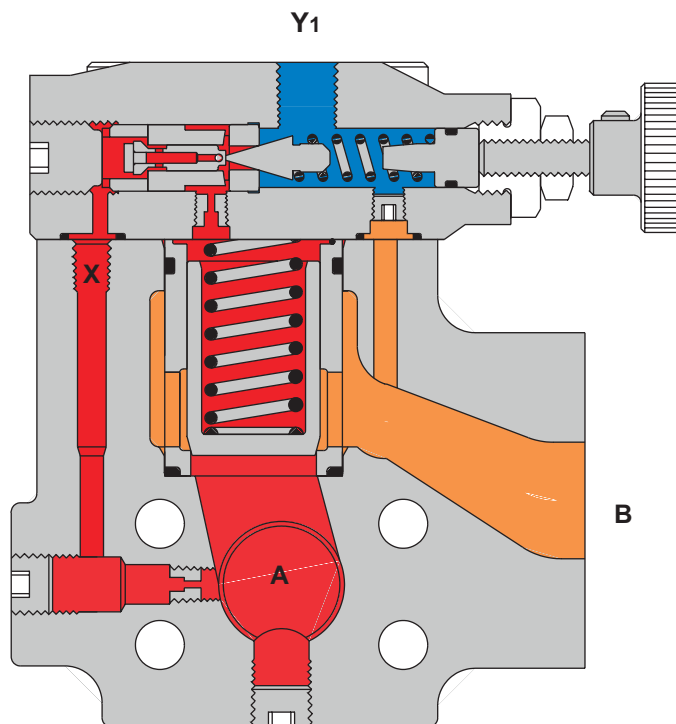


VR5U pressure unloading valves are used to unload a circuit at low pressure when a port signal (X) is maintained at a pressure that is higher than that of the pilot section. A typical application for VR5U is to unload a pump that is connected to an accumulator circuit. Another use for the VR5U is to unload the low pressure side of a double pump.

Pressure sequence valve VR5S



VR5S valve enables a hydraulic system to operate in a pressure sequence. After system pressure connected to port A has reached a preadjusted value, fluid is allowed to pass through port B to a secondary system.



SPECIFICATIONS

General

| | | |
|----------------------------|---|--|
| Type | : | Pilot operated Relief/Unloading/Sequence Valve |
| Design | : | Poppet type |
| Mounting | : | Flanged According to SAE - 3000 psi (210 bar) e.g. Directly on a pump VR5V12 also 6000 psi (420 bar) |
| Mounting position | : | Optional |
| Port sizes (nominal) | : | 3/4", 1", 1 1/4" 1 1/2" (only for VR5V and VR5U) |
| Direction of flow | : | A→B |
| Ambient temperature | : | -20°C...+ 60°C (-4°F...+140°F) |
| Special working conditions | : | Consult VELJAN |

Hydraulics

| | | |
|-----------------------------|---|---|
| Pressure control range | : | Minimum - depends on flow Maximum - 5000 psi (350 bar) For VR5V12 - 6000 psi (420 bar) |
| Maximum operating pressure | : | |
| Port A (inlet) | : | 5000 psi (350 bar), For VR5V12 - 6000 psi (420 bar) |
| Port B (outlet) | : | For VR5V and VR5U - 450 psi (30 bar) For VR5S - 5000 psi (350 bar), must be less than port A |
| Port X (pilot) | : | 5000 psi (350 bar), For VR5V12 - 6000 psi (420 bar) |
| Port Y, Y1 (Pilot drain) | : | 450 psi (30 bar) |
| Maximum flow gpm (lpm) | : | VR5*06 (3/4") 24 (90) VR5*08 (1") 80 (300) VR5*10 (1 1/4") 159 (600) VR5V/VR5U12 (1 1/2") 159 (600) |
| Nominal flow gpm (lpm) | : | depends on pump delivery |
| Fluid | : | Mineral oil as per DIN 51524/25 or other fluids on request |
| Fluid Temperature Range | : | - 18°C...+ 80°C (0°F...+ 176°F) |
| Viscosity Range | : | 10 to 650 cSt (60 to 3900 SSU) |
| Optimum operating viscosity | : | 30 cSt (180 SSU) |
| Seal compatibility | : | Code 1 (Buna N) or Code 5 (Viton) (contact Veljan with specific oil details) |
| Cleanliness recommended | : | Better than NAS 1638 Class 8 or ISO 17/14 |

Adjustment

| | | |
|--|---|--|
| Manual | : | Handwheel |
| Rotation | : | 3.75 rev. |
| Operating torque | : | 0.72 Nm |
| Electricals (Vent Valve VVV01) | : | Solenoid |
| Nominal voltage | : | Refer to Ordering Code |
| Permissible voltage fluctuation | : | +5%...-10% |
| Max. coil temperature | : | +155° C (311°F) |
| Type of current | : | Alternating Current (AC)/Direct Current (DC) |
| Input power | : | 31 W |
| Holding | : | 78 VA |
| Inrush | : | 264 VA |
| Relative operating period | : | 100% |
| Type of protection | : | I P 65 |

ORDERING CODE

VR5* 06 - 5 3 5 - 1 4 - 09 - W07 - A 1 ***

Series

- VR5V - Pressure Relief Valve
- VR5U - Pressure Unloading Valve
- VR5S - Pressure Sequence Valve

Size

- 06 - 3/4"
- 08 - 1"
- 10 - 1 1/4"
- 12 - 1 1/2"

Max. Pressure of Valve Body

- 3 - 3000psi (210 bar) - SAE 61 flange (VR5V12/VR5U12)
- 4 - 4000psi (280 bar) - SAE 61 flange (VR5*10)
- 5 - 5000psi (350 bar) - SAE 61 flange (VR5*06/08)
- 6 - 6000psi (420 bar) - SAE 62 flange (VR5V12 only)

Body

Ports X1, Y1, M

- 1 - 1/4" NPTF
- 3 - SAE - 4 (7/16" - 20 UNF)
- 9 - G 1/4"

¹⁾ Port Y1 is only available at external drain from the pilot head

Pressure setting range

- 1 - 100 - 1500 psi (7 - 105 bar) } VR5U:Pressure
- 3 - 100 - 3000 psi (7 - 210 bar) } Differential 20%
- 5 - 100 - 5000 psi (7 - 350 bar), VR5U:Pressure Differential 15%
- 6 - 100 - 6000 psi (7 - 420 bar) (VR5V12 only)

Type of Control

- 1 - Hand knob (32mm dia)
- 2 - Hand knob (50mm dia) (not for version with vent valve VV01)
- 3 - Acorn nut with lead seal

Modification

Seal Class

- 1 - Buna N (Standard)
- 5 - Viton

Design letter

Solenoid Voltage

(Omit for non vent version)

- W01 - 115V/60 Hz AC GOR - 12V DC
- W02 - 230V/60 Hz AC GOQ - 24V DC
- W06 - 115V/50 Hz AC GOH - 48V DC
- W07 - 230V/50 Hz AC

Electrical Vent

(3way VENT VALVE VV01)

Omit for non vent version

- 09 - With manual override (Solenoid de-energized : open to tank. Solenoid Energized : vent line blocked)
- 10 - Without manual override (Solenoid de-energized : open to tank. Solenoid energized : vent line blocked)
- 11 - With manual override (Solenoid de-energized : vent line blocked Solenoid energized : open to tank)
- 12 - Without manual override (Solenoid de-energized : vent line blocked Solenoid energized : open to tank)

Pilot Connection

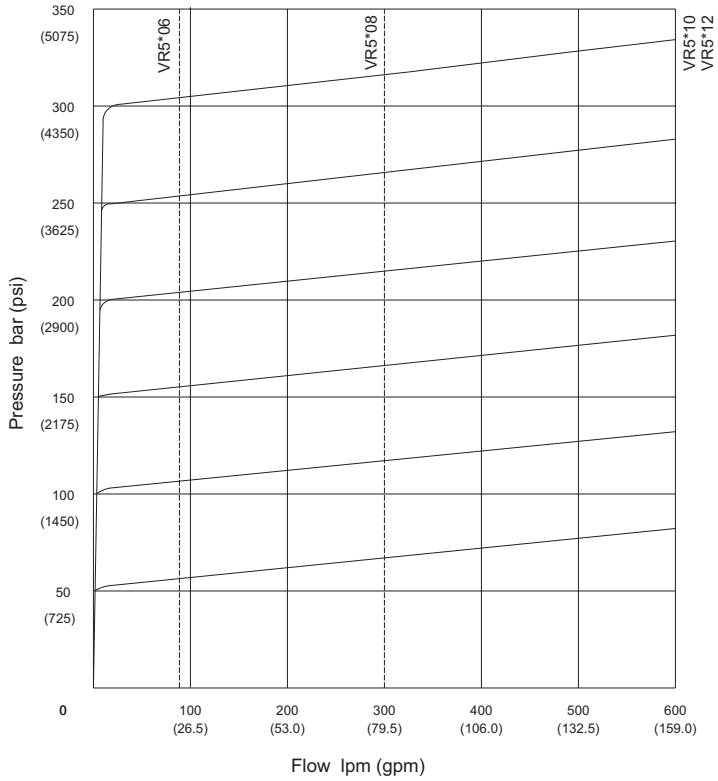
- 2 - Internal PD - Internal PP (VR5V)
- 4 - External PD - External PP² (VR5U)
- 5 - Internal PD - External PP² (VR5U)
- 6 - External PD - Internal PP (VR5V,VR5S)

²⁾ External pilot pressure connection on flange face



PERFORMANCE

PC

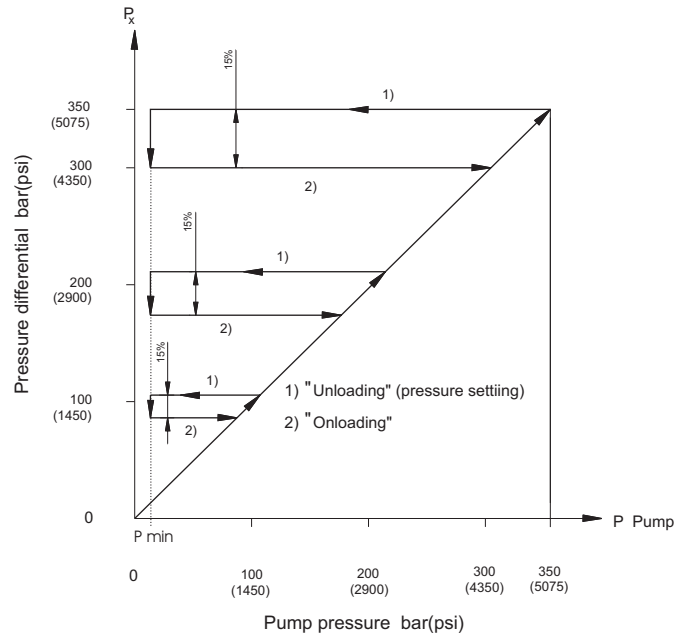


P- Q Curves

Min. possible pressure setting ≥ 3 bar. (43.5 psi)
 Fluid 40 cSt at 50°C \pm 0.5°C. (240 SSU at 120°F \pm 32.9°F)

Pressure Differential Charecteristics for VR5U Unloader Valve

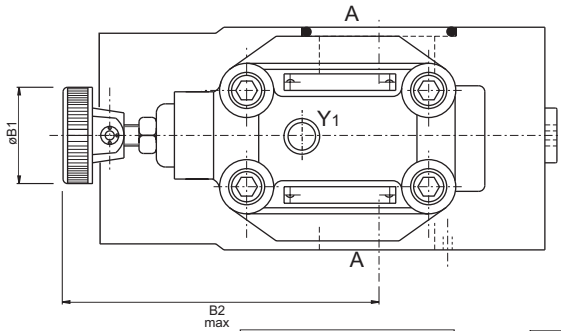
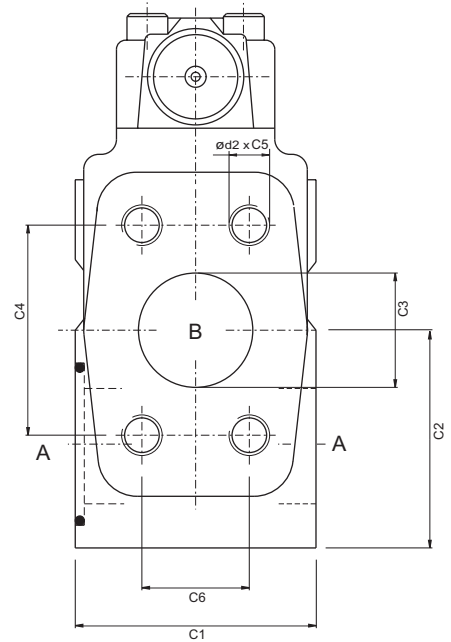
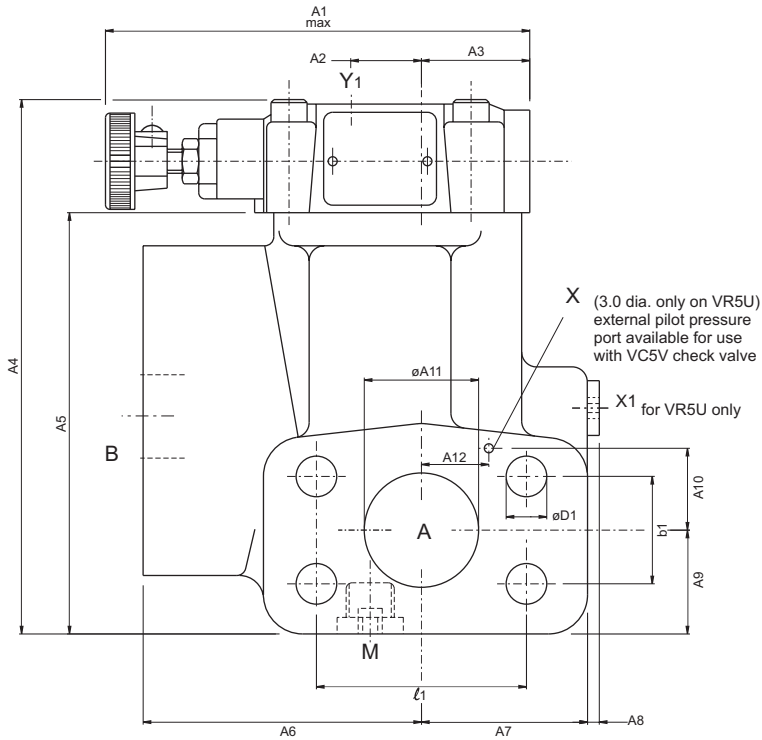
The differential between Unloading and Onloading is typical 15%. When system pressure (for instance accumulator) drops 15% below the pilot setting, the valve closes and pump feeds the system again.



VR5V12-VR5U12 (1 1/2")

Weight : 17.58 lbs (8.0 kg)

PC



| | | C4 | C5 | C6 | ød1 | ød2 |
|---------------------|----|-------|-------|-------|-------|---------------|
| VR5* 12 3 SAE 61 | in | 2.748 | 1.063 | 1.405 | 0.531 | 1/2" - 13 UNC |
| | mm | 69.8 | 27 | 35.7 | 13.5 | |
| VR5V 12 6 SAE 62 | in | 3.126 | 1.3 | 1.437 | 0.67 | 5/8" - 11 UNC |
| | mm | 79.4 | 33 | 36.5 | 17 | |

Mounted directly on the "E" cartridge of VELJAN vane pumps.

| | Dimensions | |
|-----|------------|-------|
| | in | mm |
| A1 | 5.55 | 141.0 |
| A2 | 0.917 | 23.3 |
| A3 | 1.417 | 36.0 |
| A4 | 6.99 | 177.6 |
| A5 | 5.512 | 140.0 |
| A6 | 3.642 | 92.5 |
| A7 | 2.173 | 55.2 |
| A8 | 0.164 | 4.0 |
| A9 | 1.34 | 34.0 |
| A10 | 1.07 | 27.2 |
| A11 | ø1.496 | ø38.0 |
| A12 | 0.88 | 22.4 |

| | Dimensions | |
|----|------------|-------|
| | in | mm |
| B1 | ø1.26 | ø32.0 |
| B2 | 4.41 | 112.0 |

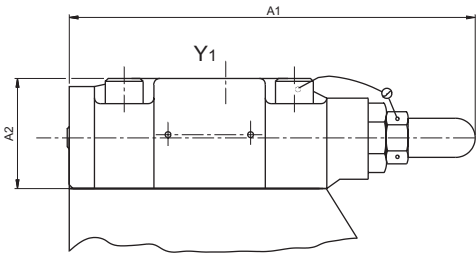
| | Dimensions | |
|----|------------|-------|
| | in | mm |
| C1 | 3.15 | 80.0 |
| C2 | 2.874 | 73.0 |
| C3 | ø1.496 | ø38.0 |

| Ports | Function | Port sizes | VR5V | VR5U |
|----------------|-------------------------------|--------------------------------|------|------|
| A (2x) | Pressure | 1 1/2" (SAE - 61/62) | ● | ● |
| B | Tank | 1 1/2" (SAE - 61/62) | ● | ● |
| X ₁ | Ext. Pilot port ¹⁾ | 1/4" NPTF or G 1/4" or SAE - 4 | ● | ● |
| Y ₁ | Ext. Drain | 1/4" NPTF or G 1/4" or SAE - 4 | ● | ● |
| M | Pressure gauge | 1/4" NPTF or G 1/4" or SAE - 4 | ● | ● |

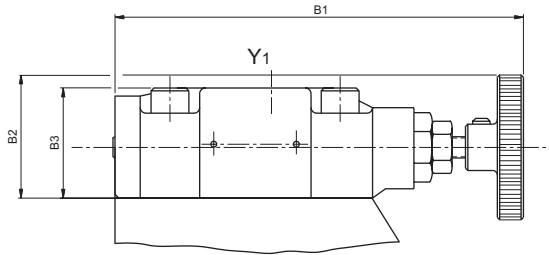
1) Closed when supplied

OPTIONAL CONTROL

Type of control - Code 3
Acron nut with lead seal



Type of control - Code 2
Hand knob 50mm dia
(not for version with vent valve VVV01)

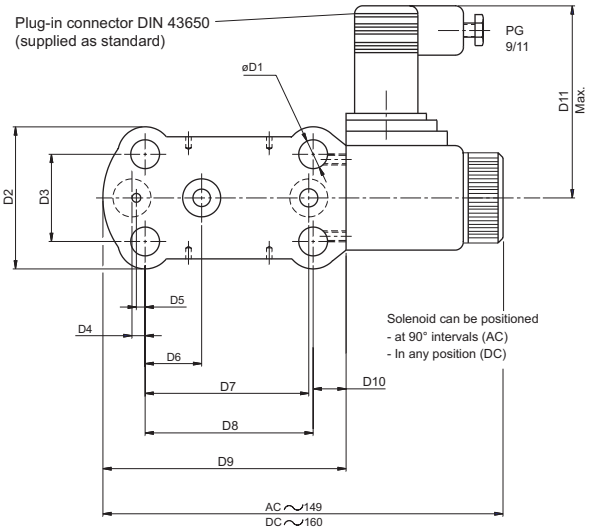
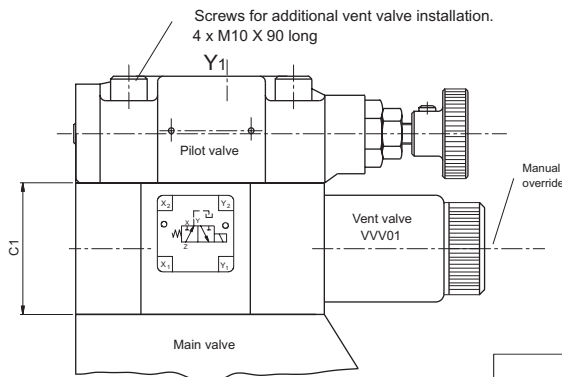


| Dimensions | | |
|------------|------|-------|
| | in | mm |
| A1 | 5.51 | 140.0 |
| A2 | 0.49 | 38.0 |

| Dimensions | | |
|------------|------|-------|
| | in | mm |
| B1 | 5.55 | 141.0 |
| B2 | 1.67 | 42.5 |
| B3 | 1.49 | 38.0 |

Version with Vent Valve VVV01

Weight (VVV01) : 3.73 lbs (1.7 kg)



| Dimensions | | |
|------------|------|------|
| | in | mm |
| C1 | 1.85 | 47.0 |

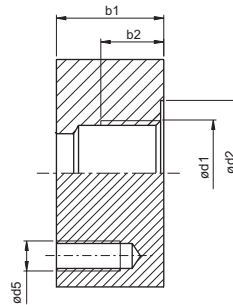
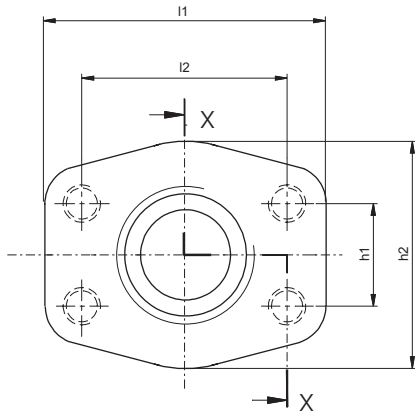
| Dimensions | | |
|------------|-------|-------|
| | in | mm |
| D1 | ø0.41 | ø10.5 |
| D2 | 2.03 | 51.8 |
| D3 | 1.25 | 31.8 |
| D4 | 0.18 | 4.8 |
| D5 | 0.12 | 3.2 |
| D6 | 0.81 | 20.6 |
| D7 | 2.31 | 58.7 |
| D8 | 2.37 | 60.3 |
| D9 | 3.49 | 88.7 |
| D10 | 0.51 | 13.0 |
| D11 | 2.75 | 70.0 |

| Code | Pressure Relief Valve VR5V | | Pressure Unloading Valve VR5U | | Sequence Valve VR5S |
|----------------|----------------------------|----------------|-------------------------------|----------------|---------------------|
| | Internal Drain | External Drain | Internal Drain | External Drain | External Drain |
| 11 or 12 | | | | | |
| 09 or 10 | | | | | |

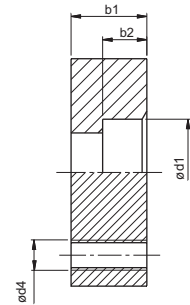
SAE - Flanges

Inlet flange (only for pipe mounting)

PC

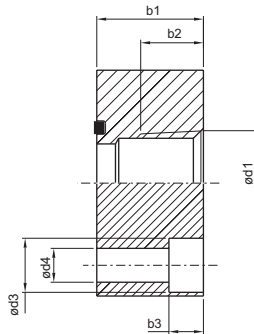
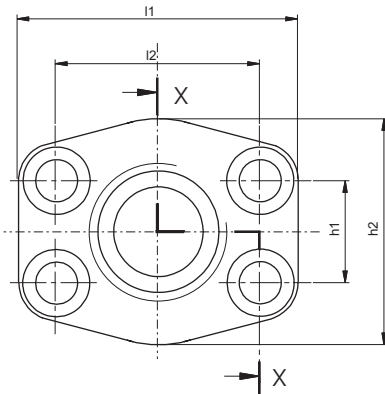


B.S.P.P Flange

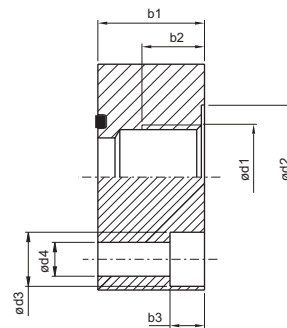


Socket weld

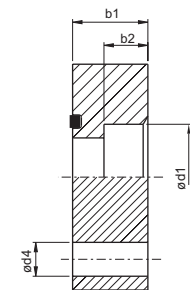
Outlet and tank port flange



N.P.T.F flange



B.S.P.P flange



Socket weld

| Port sizes d1 | Inlet flange (without screws) only for pipe mounting | Outlet flange (without screws) | Tank port flange (with screws) | | | | | | | | | | | |
|----------------------------------|---|-----------------------------------|--------------------------------------|-------|------|------|------|------|------|------|------|------|------|-----------|
| | Order no. | Order no. | Order no. | l1 | l2 | b1 | b2 | b3 | h1 | h2 | ød2 | ød1 | ød4 | ød5 |
| 3/4" B.S.P.P | VS16-86520 | VS16-86529 | VS14-66933 | 67.0 | 47.6 | 34.0 | 15.9 | 12.0 | 22.0 | 52.0 | 40.0 | 16.5 | 10.5 | 3/8" UNC |
| 3/4" N.P.T.F. | - | VS16-86530 | VS14-66925 | | | 19.0 | 12.0 | - | | | - | | | |
| 3/4" Socket weld | VS16-86519 | VS16-86528 | VS14-66941 | | | 20.0 | 12.0 | - | | | - | | | |
| 1" B.S.P.P | VS16-86523 | VS16-86532 | VS14-66934 | 72.0 | 52.4 | 34.0 | 20.0 | 12.0 | 26.2 | 58.0 | 46.0 | 16.5 | 10.5 | 3/8" UNC |
| 1" N.P.T.F. | - | VS16-86533 | VS14-66926 | | | 19.0 | 12.0 | - | | | - | | | |
| 1" Socket weld | VS16-86522 | VS16-86531 | VS14-66942 | | | 24.0 | 14.0 | - | | | - | | | |
| 1 1/4" B.S.P.P | VS16-86526 | VS16-86535 | VS14-66935 | 80.0 | 58.7 | 39.0 | 22.0 | 15.0 | 30.2 | 73.0 | 54.0 | 17.5 | 12.5 | 7/16" UNC |
| 1 1/4" N.P.T.F. | - | VS16-86536 | VS14-66927 | | | 20.6 | 14.0 | - | | | - | | | |
| 1 1/4" Socket weld | VS16-86525 | VS16-86534 | VS14-66943 | | | 24.0 | 14.0 | - | | | - | | | |
| 1 1/2" B.S.P.P | VS26-52364 | VS26-52215 | VS14-66936 | 94.0 | 69.8 | 39.0 | 24.0 | 15.0 | 35.7 | 82.0 | 60.0 | 20.0 | 14.5 | 1/2" UNC |
| 1 1/2" Socket weld | VS26-52366 | VS26-52217 | VS14-66944 | | | 26.0 | 16.0 | - | | | - | | | |
| 1 1/2" B.S.P.P ¹⁾ | V464-01147 | V464-01141 | V464-01004 | | | 20.0 | 16.0 | - | | | - | | | |
| 1 1/2" Socket weld ¹⁾ | V464-01149 | V464-01143 | V464-01146 | 112.0 | 79.4 | 50.0 | 28.0 | 20.0 | 36.5 | 94.0 | 60.0 | 25.0 | 17.5 | 5/8" UNC |

¹⁾ SAE 62