



VT6GC - B22 - 6 R 00 - A 1 - 00

Series

Cam ring

Volumetric displacement cm³/rev (in³/rev)

B03 = 10.8 (0.66)	B15 = 50.5 (3.08)
B05 = 17.2 (1.05)	B17 = 58.3 (3.56)
B06 = 21.3 (1.30)	B20 = 63.8 (3.89)
B08 = 26.4 (1.61)	B22 = 70.3 (4.29)
B10 = 34.1 (2.08)	B25 = 79.3 (4.84)
B12 = 37.1 (2.26)	B28 = 88.8 (5.42)
B14 = 46.0 (2.81)	B31 = 100.0 (6.10)

Type of shaft

6 - splined (DIN 5462)

Modifications

Mounting W/connection variables

- 00 - Flange 1" BSPP
- 01 - Flange 1" SAE 4 bolts (UNC)
- M1 - Flange 1" SAE 4 bolts (METRIC)

Seal class

1 - S1

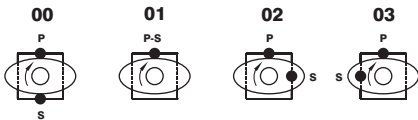
Design letter

Porting combination

00 - standard

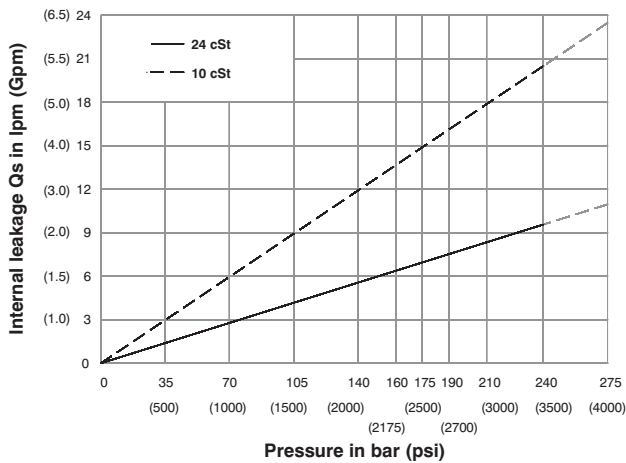
Direction of rotation (view on shaft end)

- R - clockwise
- L - counter-clockwise

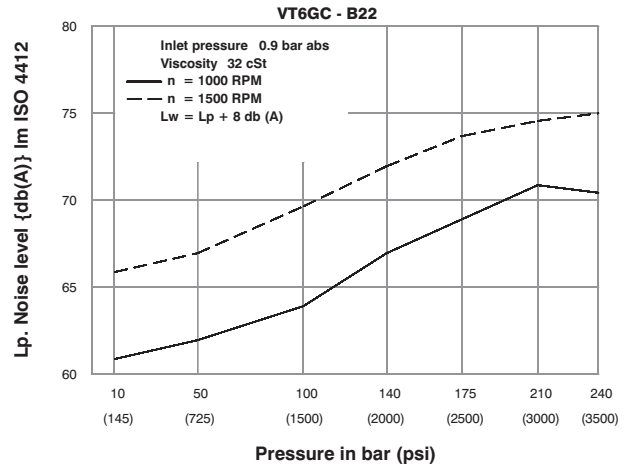


S - Suction port **P** - Pressure port

INTERNAL LEAKAGE (TYPICAL)

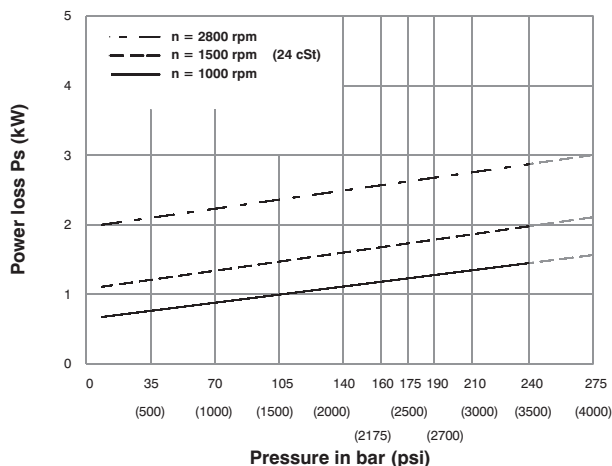


NOISE LEVEL (TYPICAL)

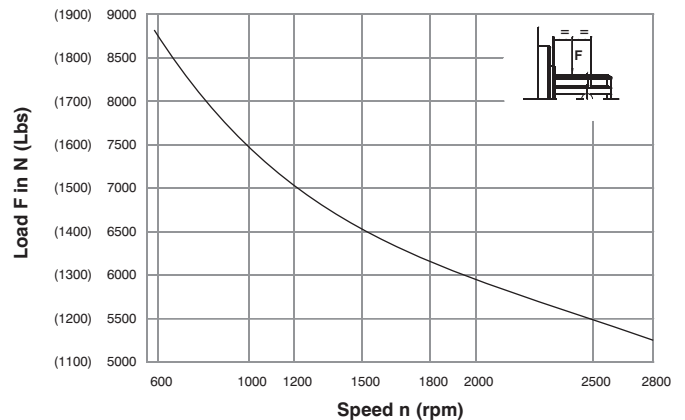


Do not operate pump more than 5 seconds at any speed or viscosity if internal leakage is more than 50% of theoretical flow.

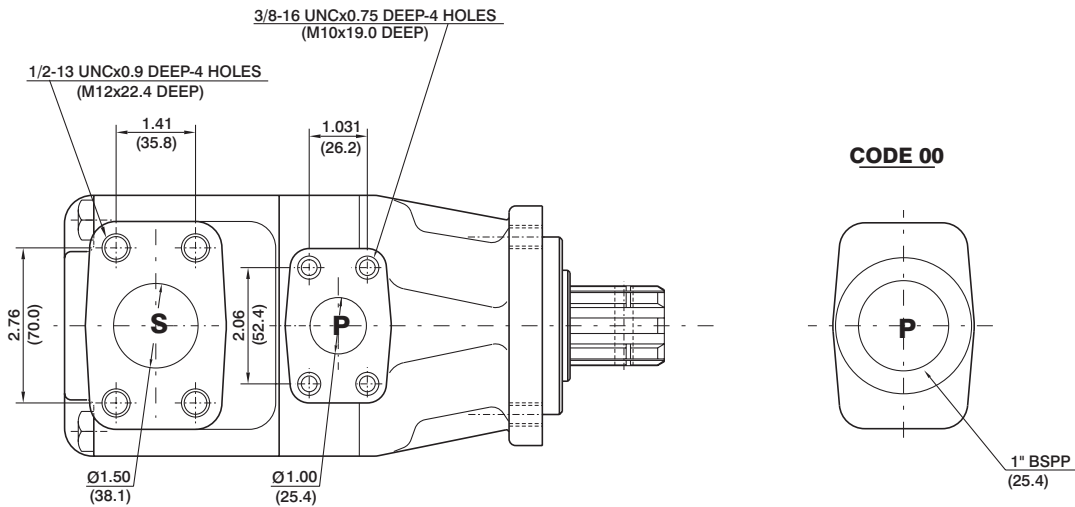
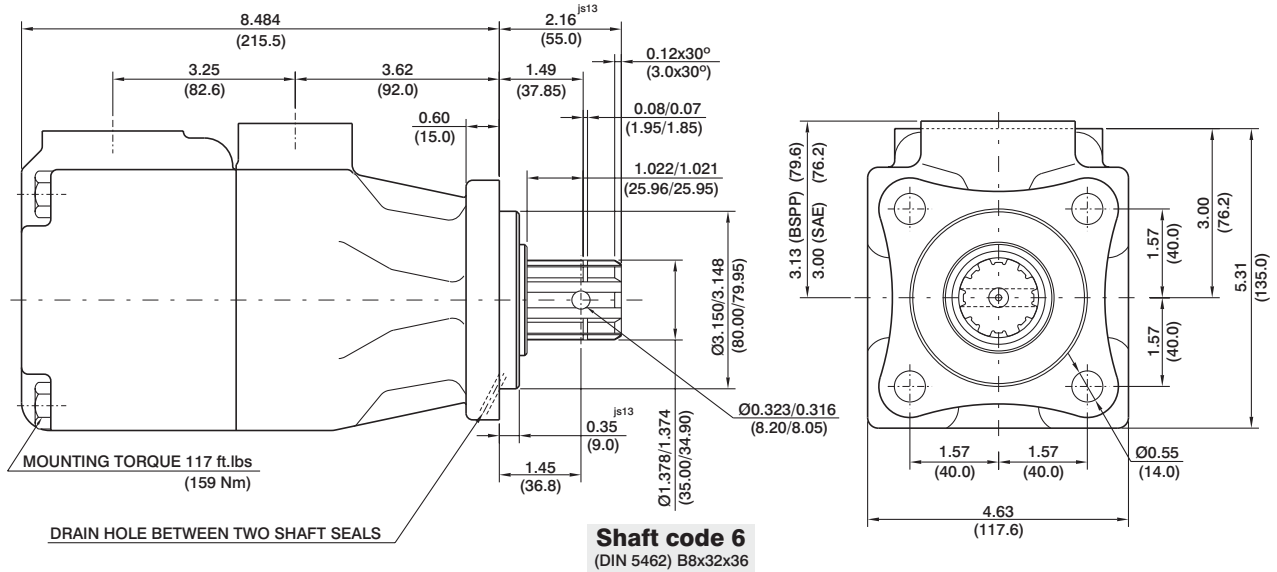
HYDROMECHANICAL POWER LOSS (TYPICAL)



PERMISSIBLE RADIAL LOAD



Life time 3000 hours when 70% of the time at 500 N and 30% at max. load.



OPERATING CHARACTERISTICS - TYPICAL (24 cST)

Pressure port	Series	Volumetric Displacement Vp		Flow q & n = 1500 rpm						Input power p & n = 1500 rpm					
		p = 0 bar (0 psi)		p = 140 bar (2000 psi)		p = 240 bar (3500 psi)		p = 7 bar (100 psi)		p = 140 bar (2000 psi)		p = 240 bar (3500 psi)			
		in ³ /rev	cm ³ /rev	gpm	lpm	gpm	lpm	gpm	lpm	hp	kw	hp	kw	hp	kw
VT6GC	B03	0.66	10.8	4.29	16.2	2.83	10.7	--	--	1.74	1.3	7.11	5.3	--	--
	B05	1.05	17.2	6.83	25.8	5.37	20.3	4.17	15.8	1.88	1.4	10.06	7.5	16.36	12.2
	B06	1.30	21.3	8.44	31.9	7.01	26.5	5.82	22.0	2.01	1.5	11.94	8.9	19.71	14.7
	B08	1.61	26.4	10.48	39.6	9.02	34.1	7.83	29.6	2.15	1.6	14.35	10.7	22.93	17.7
	B10	2.08	34.1	13.52	51.1	12.08	45.7	10.89	41.2	2.28	1.7	18.64	13.4	29.90	22.3
	B12	2.26	37.1	14.71	55.6	13.28	50.2	12.08	45.7	2.28	1.7	19.31	14.4	32.32	24.1
	B14	2.81	46.0	18.25	69.0	16.79	63.5	15.60	59.0	2.55	1.9	23.60	17.6	39.56	29.5
	B15	3.08	50.5	20.00	75.6	18.62	70.4	17.46	66.0	2.68	2.0	25.61	19.1	42.91	32.0
	B17	3.56	58.3	23.12	87.4	21.69	82.0	20.50	77.5	2.82	2.1	29.37	21.9	49.48	36.9
	B20	3.89	63.8	25.32	95.7	23.86	90.2	22.67	85.7	2.95	2.2	31.92	23.8	53.91	40.2
	B22	4.29	70.3	27.88	105.4	26.45	100.0	25.26	95.5	3.08	2.3	35.00	26.1	59.14	44.1
	B25 ¹⁾	4.84	79.3	31.46	118.9	30.02	113.5	28.83	109.0	3.35	2.5	39.16	29.2	66.38	49.5
	B28 ¹⁾	5.42	88.8	35.24	133.2	33.78	127.7	32.93 ²⁾	124.5 ²⁾	3.75	2.8	43.85	32.7	65.04 ²⁾	48.5 ²⁾
	B31 ¹⁾	6.10	100.0	39.68	150.0	38.22	144.5	37.38 ²⁾	141.3 ²⁾	3.75	2.8	48.95	36.5	72.95 ²⁾	54.4 ²⁾

1) B25-B28-B31 = 2500 R.P.M. max.

2) B28-B31 = 210 bar (3000 psi) max. int.

-- Not to use because internal leakage greater than 50% theoretical flow.